

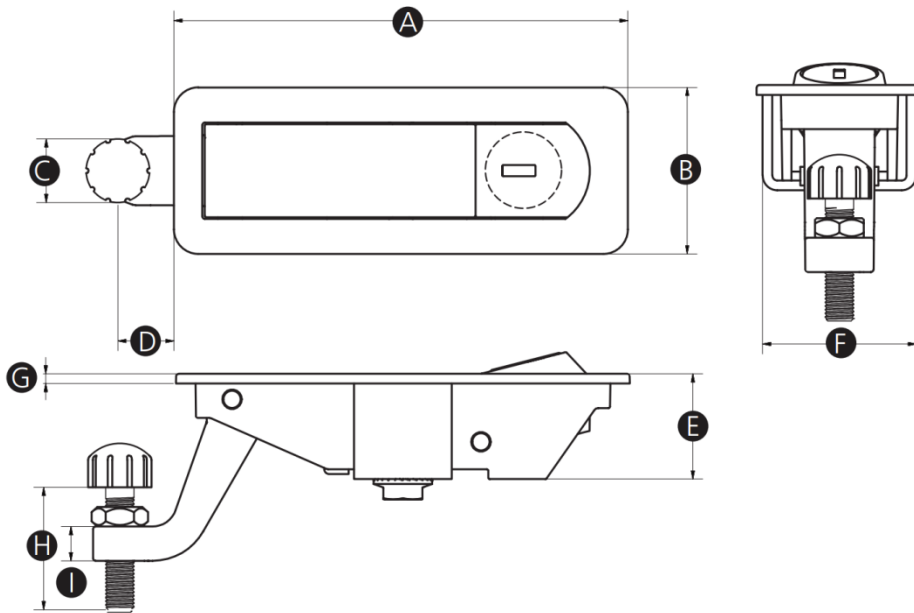
## G06ML Die Cast Zinc Compression Latch

### Features

- Quick open, easy assembly lever arm compression latch
- Screw adjusts for variable mounting distance
- Locking model comes complete with key

### Material

- Housing, insert and handle: Die cast zinc, black powder coating
- Screw: Steel, zinc plated



Part No.	A	B	C	D	E	F	G	H	I	Locking
G06ML-15935Y	93	34	13	12	22	32	2	25	7	Yes
G06ML-15936U										No